

DATASHEET

Industrial splice distributor with metal housing for DIN-RAIL, unassembled

Art.-No. 53705.1V3



adapters and front plate not included

Specifications

Fully assembled metal housing
For DIN Rail mounting
Cable entries top/bottom, prepared for M20
Delivery incl. screws for front panel

Included: 1 x splice distributor housing
1 x splice cassette
1 x splice holder for 12 crimp splices (Attach of an optional additional splice holder only with double-sided adhesive tape)
1 x cable gland M20
1 x Alu DIN Rail clip
Delivery unassembled and without Front panel

Dimensions: 61x115x113mm



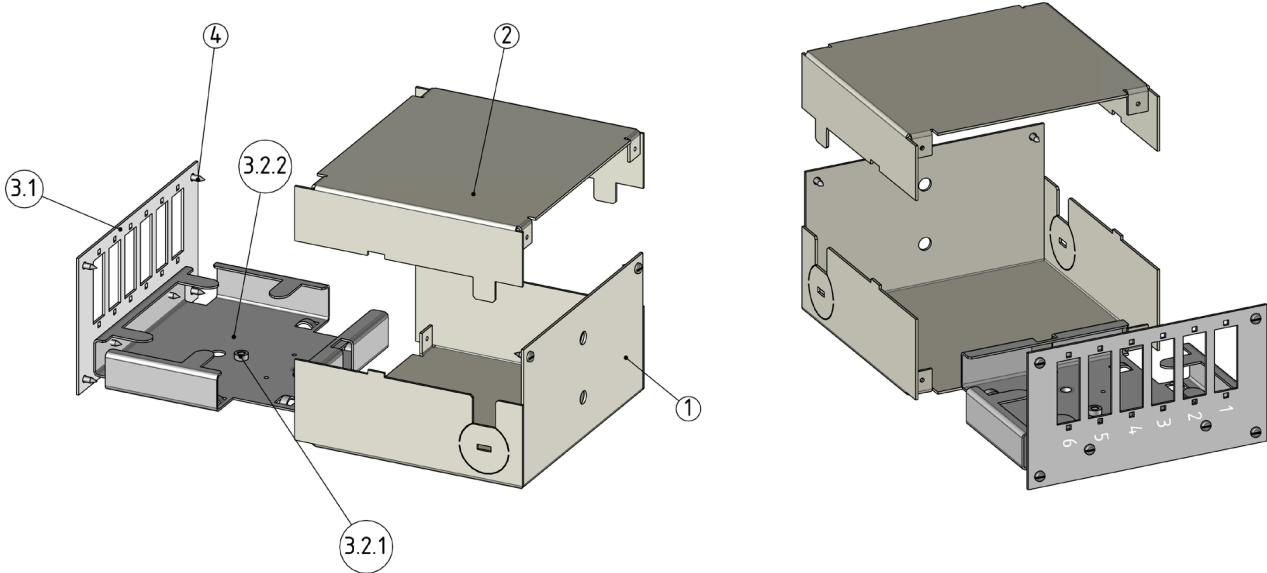
Art.No.	53705.1V3	File	53705.1V3_NEU.indd		
Description	Industrial splice distributor with metal housing for DIN-RAIL, unassembled				
Created	Date	Last revision	Date	Proved	Date
Frederik Dotzki	23.09.2013	BF	25.10.2017	JB	25.10.2017

DATASHEET

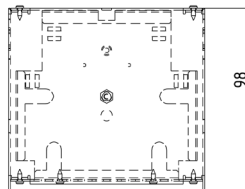
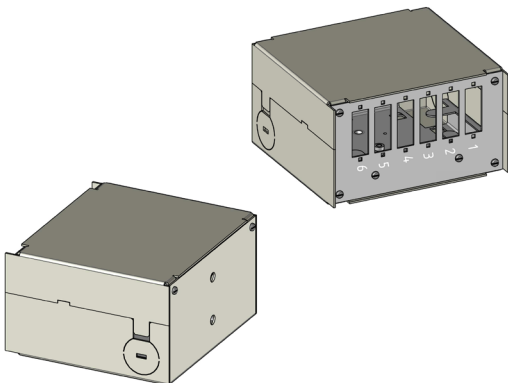
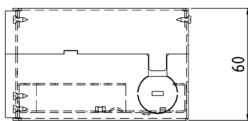
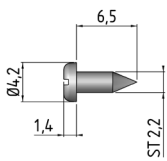
Industrial splice distributor with metal housing for DIN-RAIL, unassembled

Art.-No. 53705.1V3

Drawings/ Figures



No.	Description	Q'ty
1	Housing (part 1)	1
2	Housing (part 2)	1
3.1	Front plate (not included in delivery)	
3.2.1	Rivet	1
3.2.2	Mounting plate	1
4	Pan head tapping screws	8



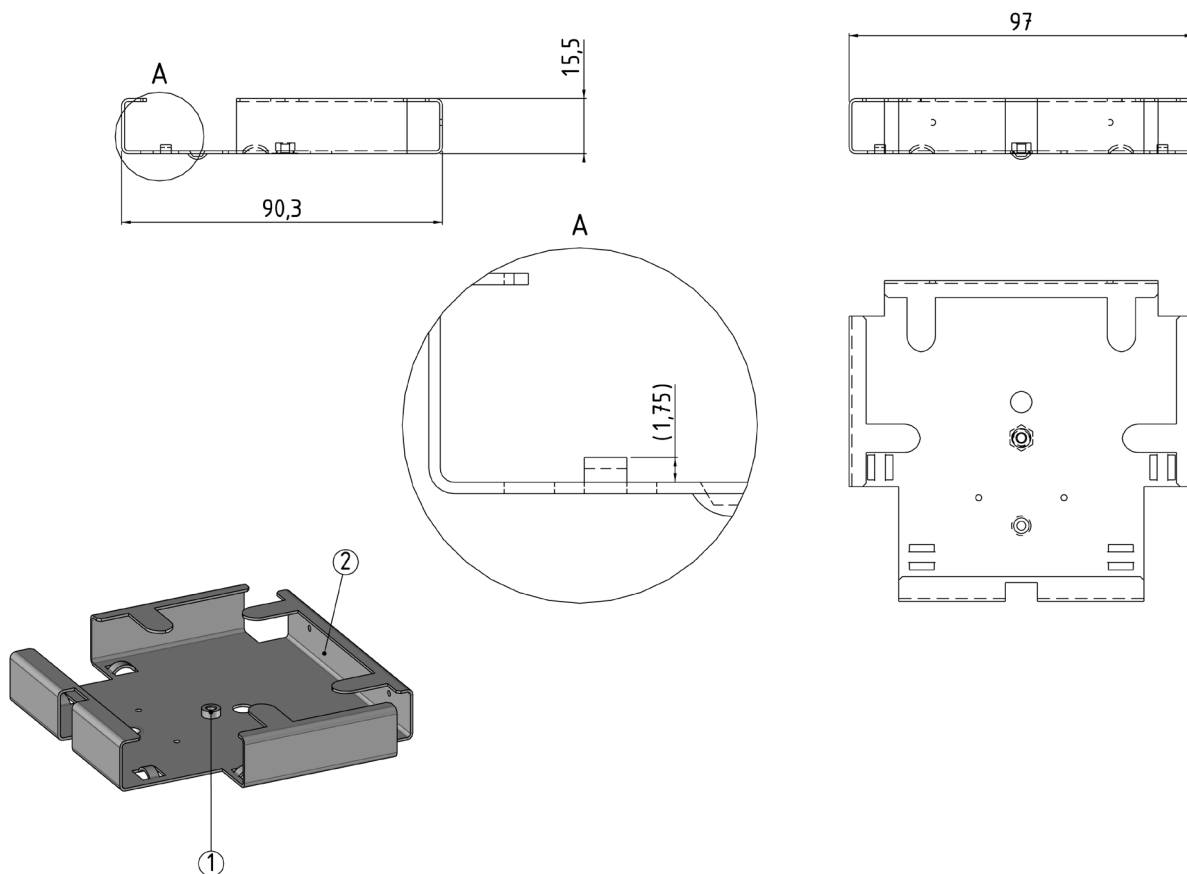
Art.No.	53705.1V3	File	53705.1V3_NEU.indd		
Description	Industrial splice distributor with metal housing for DIN-RAIL, unassembled				
Created	Date	Last revision	Date	Proved	Date
Frederik Dotzki	23.09.2013	BF	25.10.2017	JB	25.10.2017

DATASHEET

Industrial splice distributor with metal housing for DIN-RAIL, unassembled

Art.-No. 53705.1V3

Drawings/ Figures



No.	Description	Q'ty
1	Rivet	1
2	Mounting plate	1

Order Data

Art.-No.	Type
53705.1V3	Industrial splice distributor with metal housing for DIN-RAIL, unassembled

Art.-No.	Accessories
53705.2V2B	Front panel for 6 x SC duplex, LC quad
53705.3V2B	Front panel for 6 x SC simplex, LC duplex, E2000®
53705.4V2B	Front panel for 12 x SC simplex, LC duplex, E2000®
53705.5V2B	Front panel for 12 x ST simplex



Art.No.	53705.1V3	File	53705.1V3_NEU.indd		
Description	Industrial splice distributor with metal housing for DIN-RAIL, unassembled				
Created	Date	Last revision	Date	Proved	Date
Frederik Dotzki	23.09.2013	BF	25.10.2017	JB	25.10.2017